



**BONDIOLI
& PAVESI**

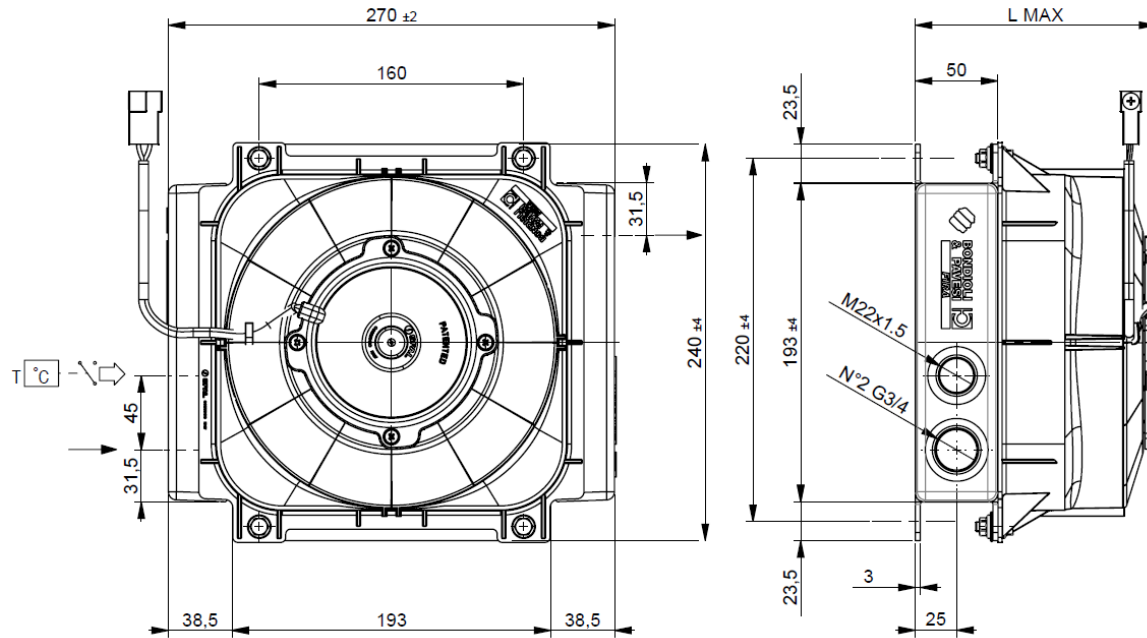


FIRA

HEAT EXCHANGERS

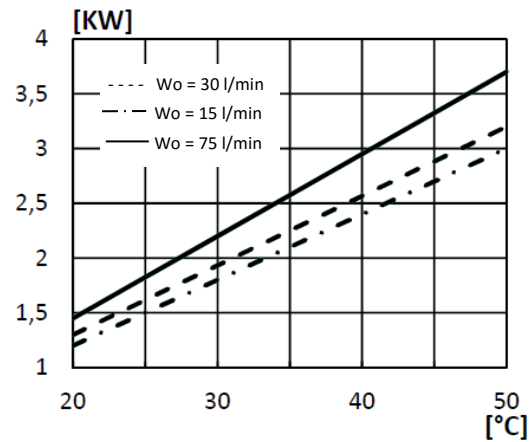
ECO SERIES

HEAT EXCHANGERS A15 ECO

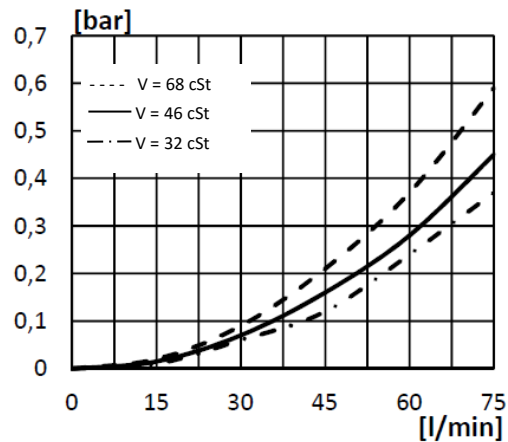


DESCRIPTION	FAN mm	Lmax mm	Weight kg	Capacity l
FR633020007 1EA 12V	190	146	5	1,1
FR633020008 1ES 12V	190	146	5	1,1
FR633020019 1EA 24V	190	146	5	1,1
FR633020020 1ES 24V	190	146	5	1,1

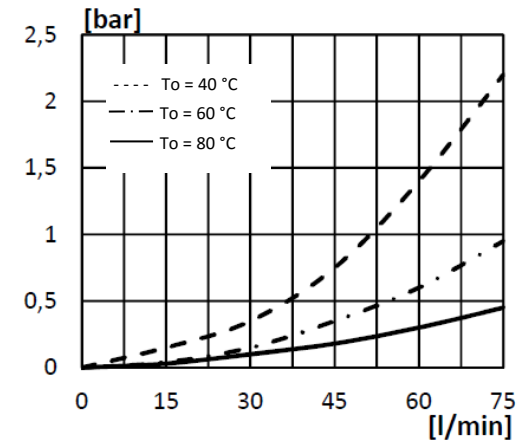
Heat exchange



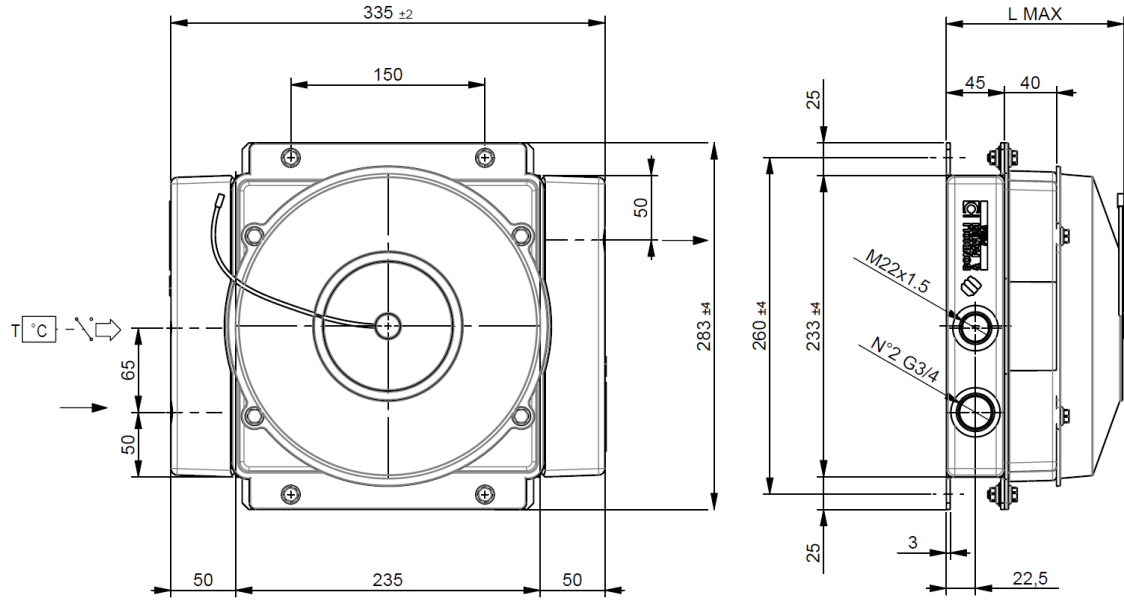
Pressure drop (Oil temp. = 80°C)



Pressure drop (Visc. = 46 cSt)

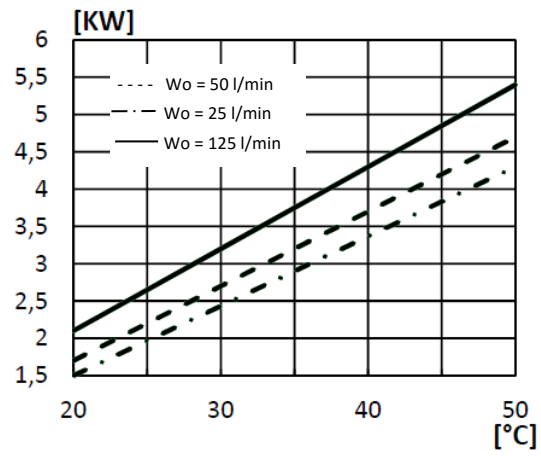


HEAT EXCHANGERS A20 ECO

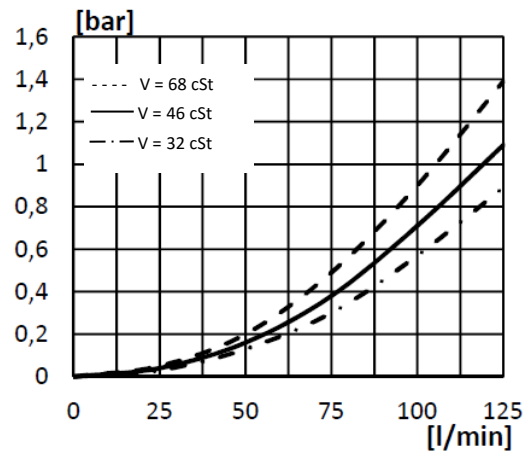


DESCRIPTION	Fan mm	Lmax mm	Weight kg	Capacity l
FR633030010 1EAP 12V	247	137	4,8	1,45
FR633030011 1ESP 12V	247	137	4,8	1,45
FR633030023 1EAP 24V	247	137	4,8	1,45
FR633030024 1ESP 24V	247	137	4,8	1,45

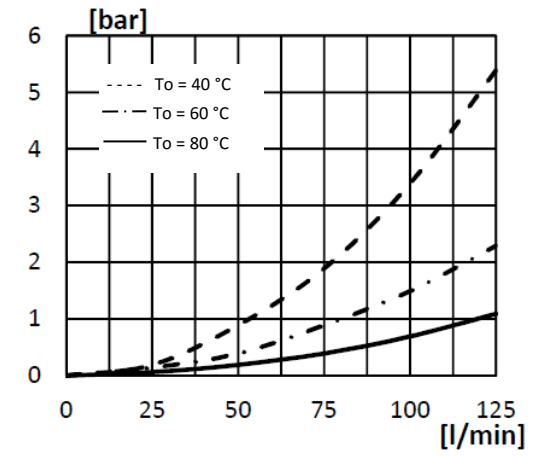
Heat exchange



Pressure drop (Oil temp. = 80°C)



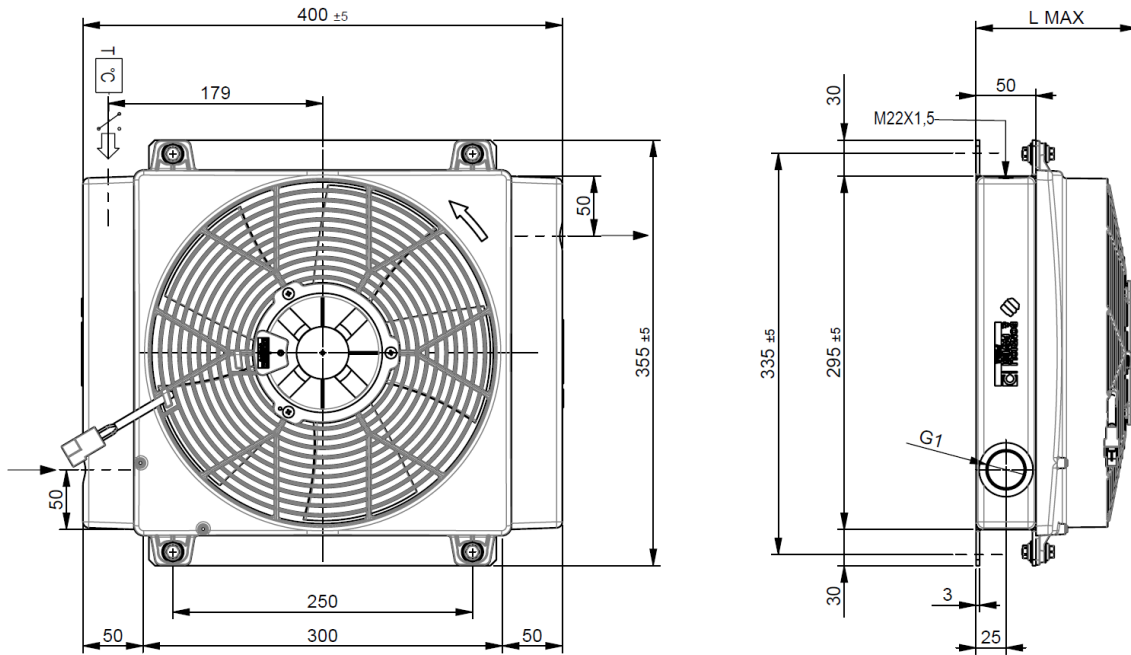
Pressure drop (Visc. = 46 cSt)



HEAT EXCHANGERS A25 ECO

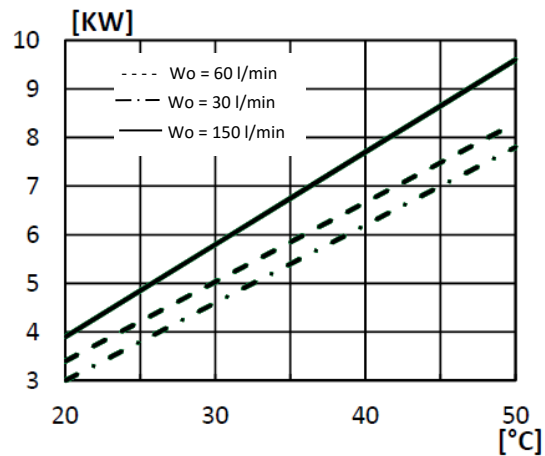


**BONDIOLI
& PAVESI**
FIRA

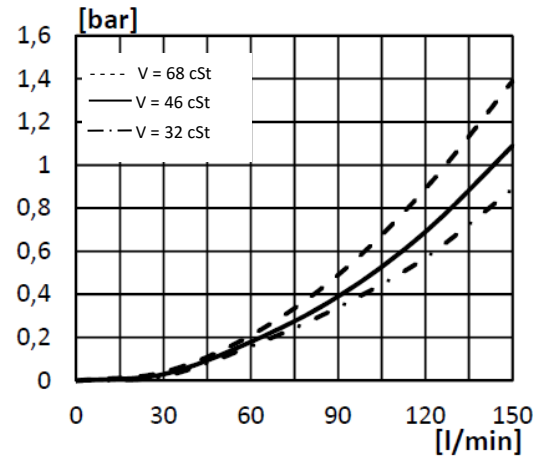


Description	Fan mm	Lmax mm	Weight kg	Capacity l
FR633040039 1EAP 12V	280	134	7,5	2,55
FR633040040 1ESP 12V	280	134	7,5	2,55
FR633040041 1EAP 24V	280	134	7,5	2,55
FR633040042 1ESP 24V	280	134	7,5	2,55

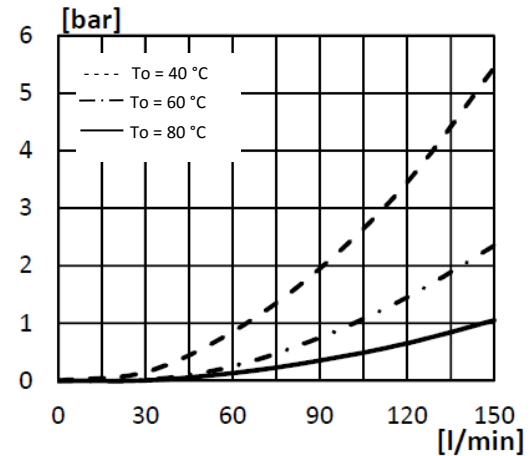
Heat exchange



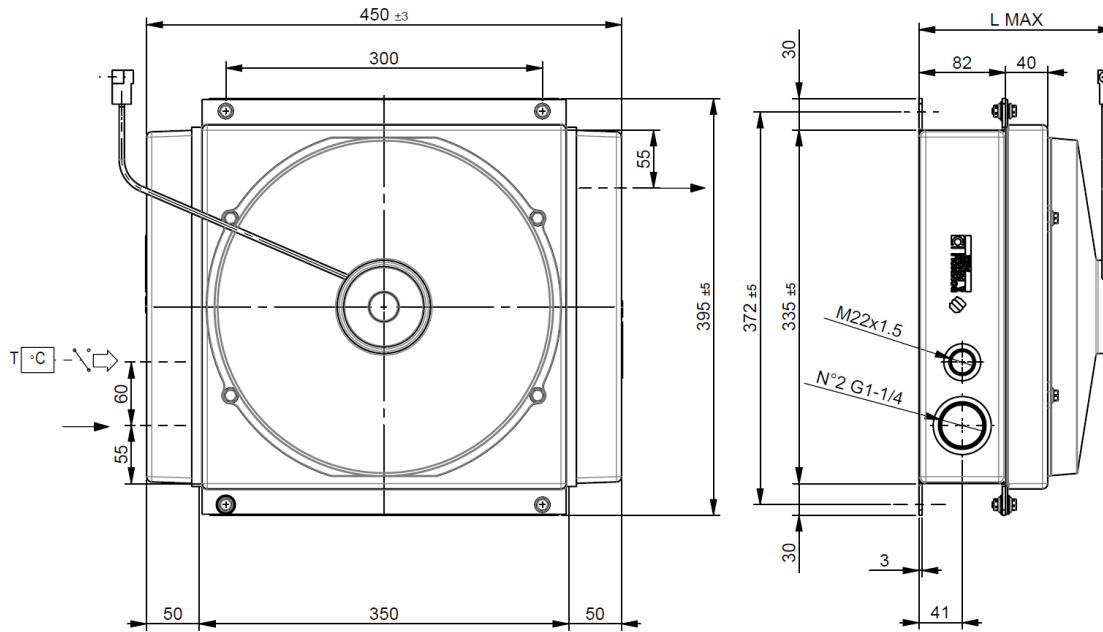
Pressure drop (Oil temp. = 80°C)



Pressure drop (Visc. = 46 cSt)

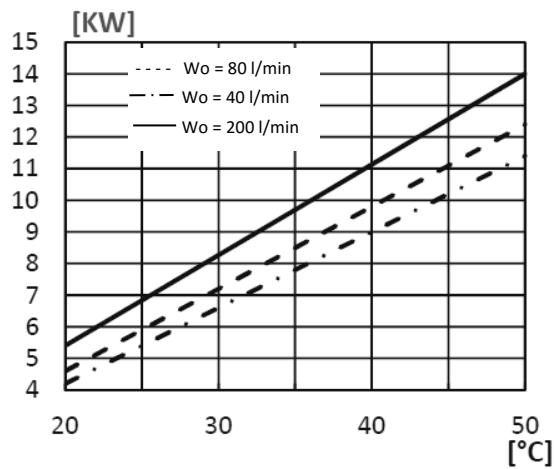


HEAT EXCHANGERS A45 ECO

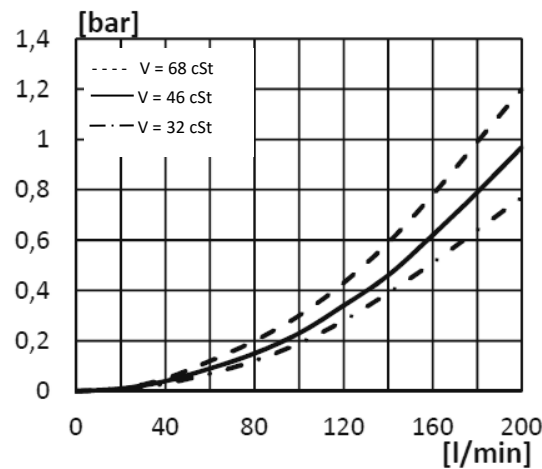


Description	Fan mm	Lmax mm	Weight kg	Capacity l
FR633080025 1EAP 12V	336	185	12,5	5
FR633080026 1ESP 12V	336	185	12,5	5
FR633080029 1EAP 24V	336	185	12,5	5
FR633080030 1ESP 24V	336	185	12,5	5

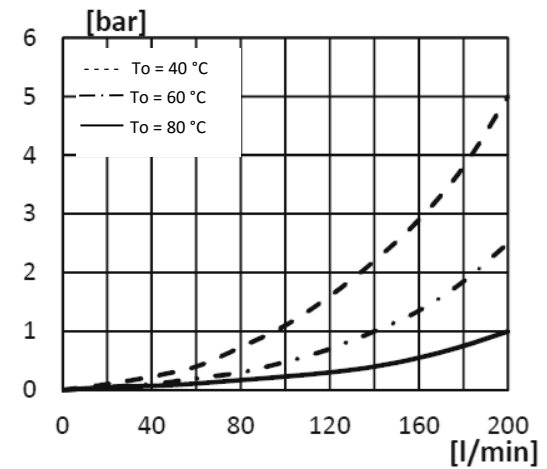
Heat exchange



Pressure drop (Oil temp. = 80°C)



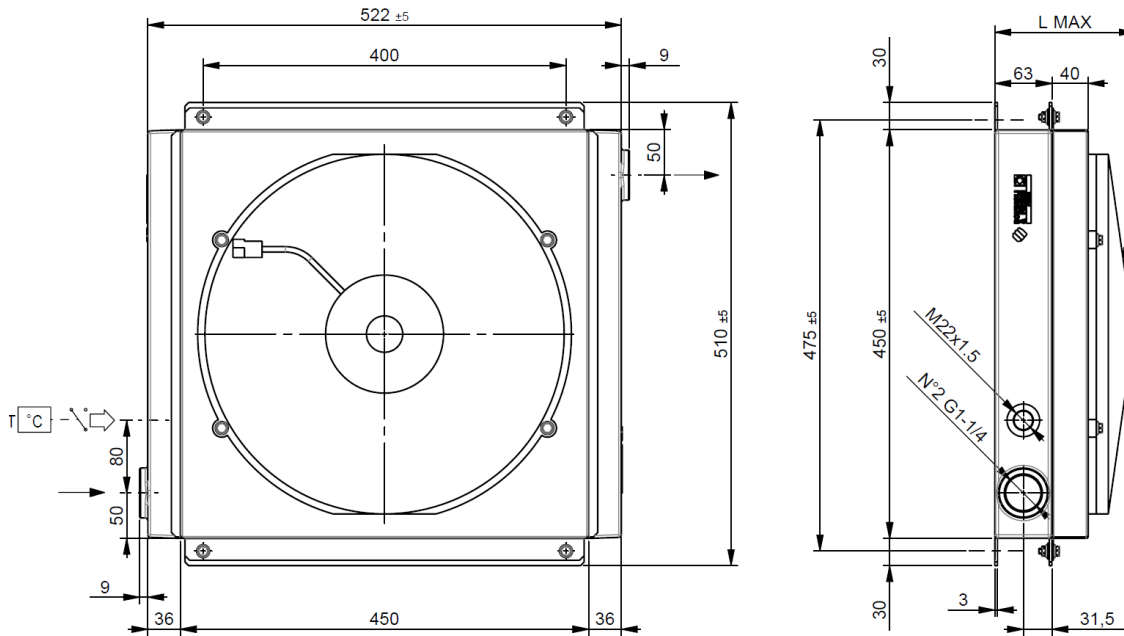
Pressure drop (Visc. = 46 cSt)



HEAT EXCHANGERS A53 ECO

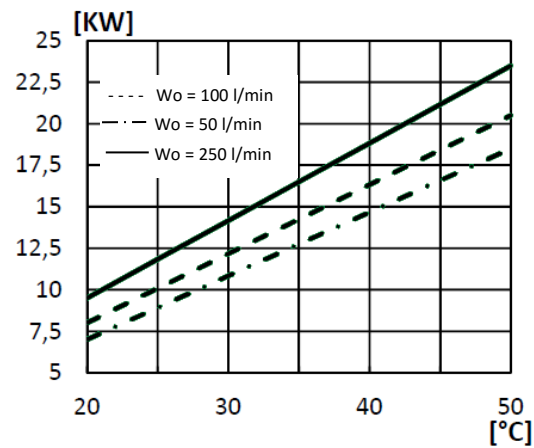


**BONDIOLI
& PAVESI**
FIRA

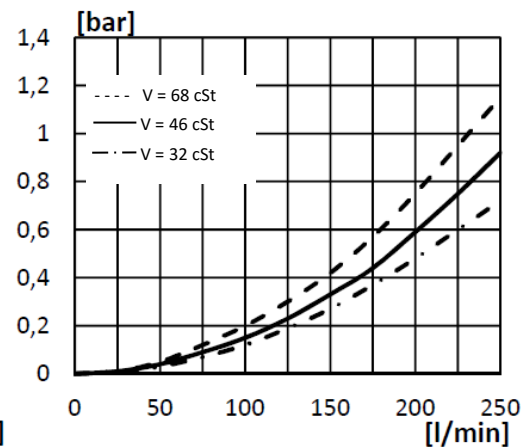


Description	Fan mm	Lmax mm	Weight kg	Capacity l
FR633190003 1EAP 12V	412	155	18,6	4,9
FR633190004 1ESP 12V	412	155	18,6	4,9
FR633190011 1EAP 24V	412	155	18,6	4,9
FR633190012 1ESP 24V	412	155	18,6	4,9
FR633190005 1EAX 12V	412	155	18,6	4,9
FR633190006 1EAX 12V	412	155	18,6	4,9
FR633190015 1EAX 24V	412	155	18,6	4,9
FR633190016 1EAX 24V	412	155	18,6	4,9

Heat exchange



Pressure drop (Oil temp. = 80°C)



Pressure drop (Visc. = 46 cSt)

